



## SSR-40DA Solid State Relay 40A~380Vac

A Solid State Relay (SSR) is a relay that does not have a moving contact. In terms of operation, SSRs are not very different from mechanical relays that have moving contacts. SSRs, however, employ semiconductor switching elements, such as thyristors, triacs, diodes, and transistors.



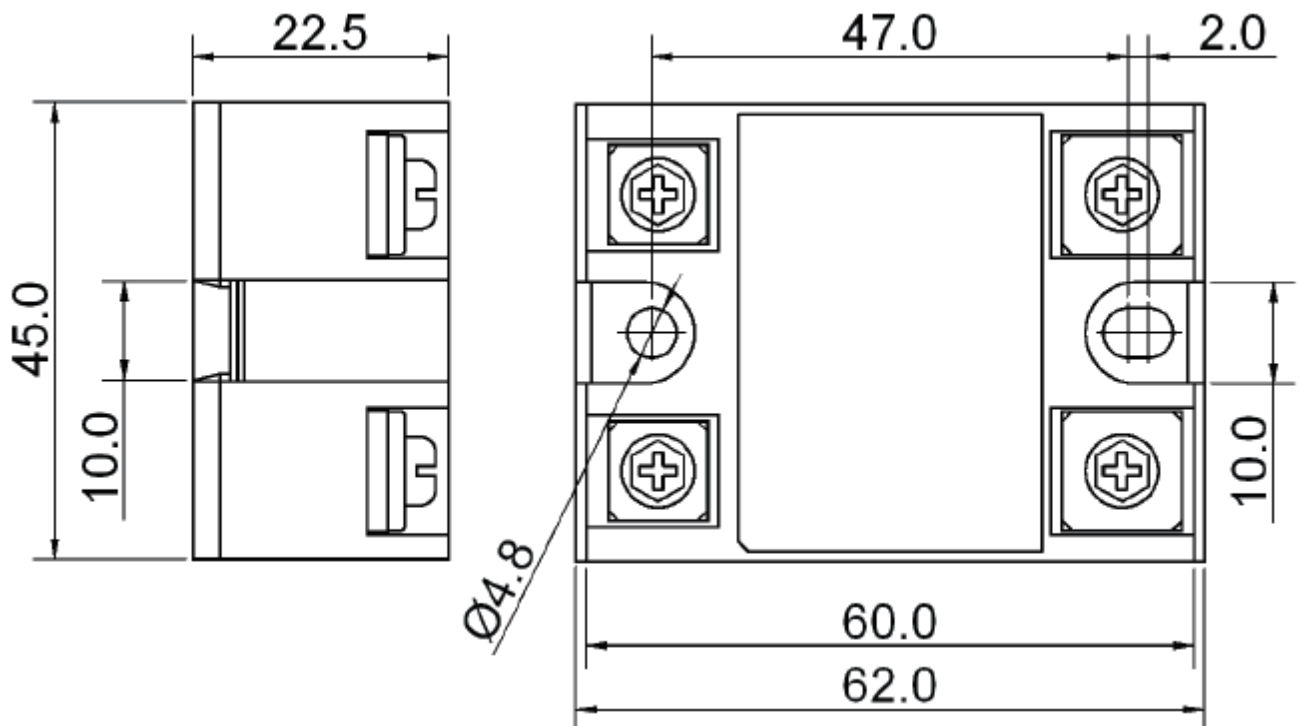
**SKU:** [ADS1588](#)

### **Brief Data:**

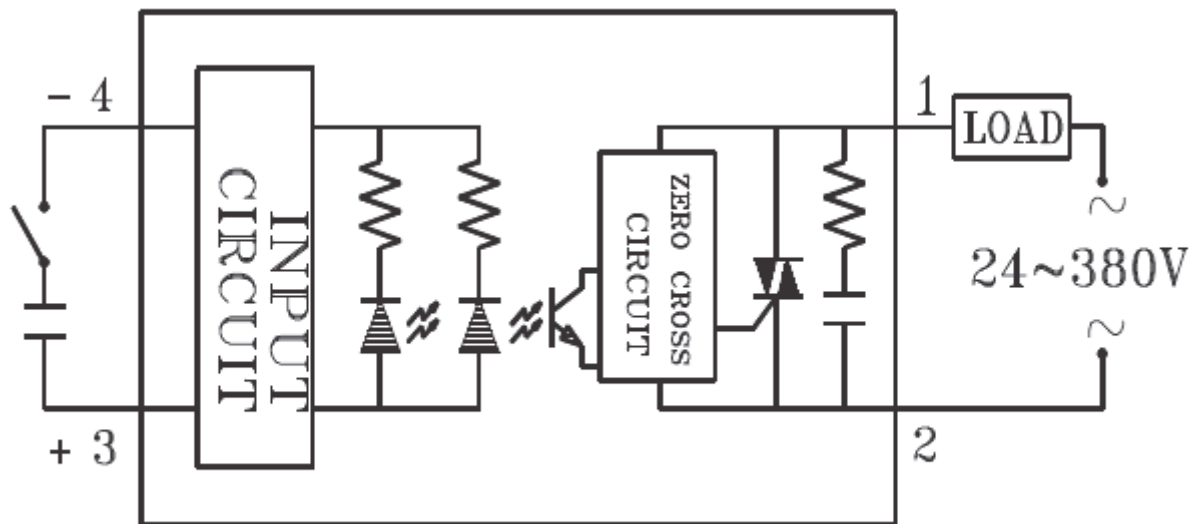
- Model: SSR-40DA.
- Rated Current: 40A max.
- $I^2t$  Fusing: 664A<sup>2</sup>S.
- Surge Current: 410A.
- Peak voltage: 1200VAC min.
- Output voltage: (24~380)VAC.
- Input Control Voltage: (4~32)VDC.
- Turn off Voltage: <3.5VDC.
- Trigger Current: 12.0mA max.
- Control method: Zero Crossing.
- Isolation strength: 4KVrms (EN60950/VDE0805)
- Insulation strength: 100MΩ@500VDC.
- Operating Temperature: -40°C~+80°C; 35~ 85%RH.

**Mechanical Dimension:**

**Unit: mm**



**Connection Diagram:**





# Handsontec.com

**We have the parts for your ideas**

---

HandsOn Technology provides a multimedia and interactive platform for everyone interested in electronics. From beginner to diehard, from student to lecturer. Information, education, inspiration and entertainment. Analog and digital, practical and theoretical; software and hardware.



open source  
hardware

HandsOn Technology support Open Source Hardware (OSHW) Development Platform.

*Learn : Design : Share*

*handsontec.com*



**The Face behind our product quality...**

**In a world of constant change and continuous technological development, a new or replacement product is never far away – and they all need to be tested.**

**Many vendors simply import and sell without checks and this cannot be the ultimate interests of anyone, particularly the customer. Every part sell on Handsotec is fully tested. So when buying from Handsotec products range, you can be confident you're getting outstanding quality and value.**

**We keep adding the new parts so that you can get rolling on your next project.**



[www.handsontec.com](http://www.handsontec.com)

[Breakout Boards & Modules](#)



[Connectors](#)



[www.handsontec.com](http://www.handsontec.com)

[Electro-Mechanical Parts](#)



[Engineering Material](#)



[www.handsontec.com](http://www.handsontec.com)

[Mechanical Hardware](#)



[Electronics Components](#)

P



[www.handsontec.com](http://www.handsontec.com)

[Power Supply](#)



[Arduino Board & Shield](#)

[Tools & Accessory](#)



[www.handsontec.com](http://www.handsontec.com)

[Tools & Accessory](#)