

**CHINT**



**CHINT Wiring Board Wire  
Connector Board TB-1503  
Group Type Connection Row  
Connection Terminal Link  
Row 15A 3 Position**

**TB-1503**

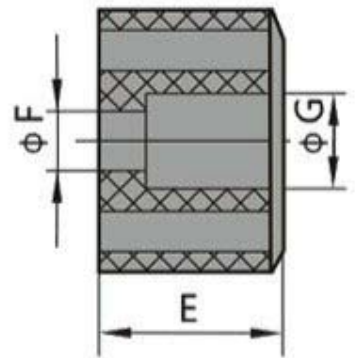
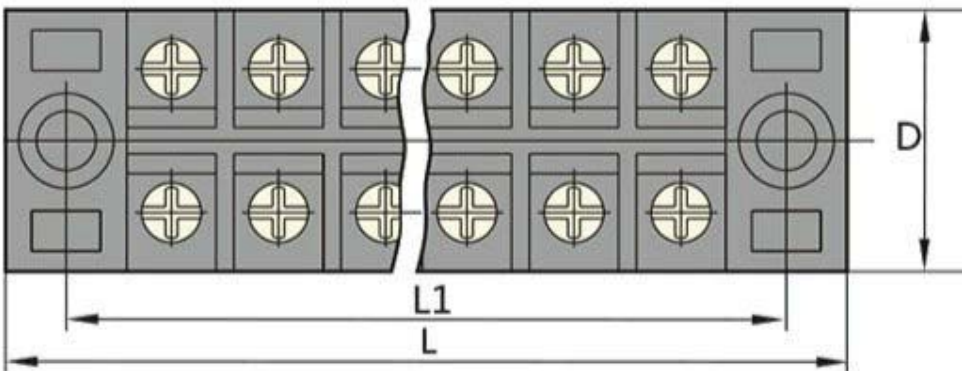
## DESCRIPTION

### DESCRIPTION

Brand Name: CHINT  
Model Number: TB-1504  
Rated current: 15A  
Wiring screws: M3  
Installation method: Screw fixed



The use of electromagnetic control of industrial equipment, is used to control the automation of fluid components, which belongs to the actuator, is not limited to hydraulic, pneumatic



	L	L1	D	E	F	G
TB-1503	45.5	35	22.2	18	4.2	7

CHNT



CHNT



CHNT

