



# High-Flo Retrofit Connection Kits

311876A

*Connection kits for High-Flo air motors.*



**Important Safety Instructions**

Read all warnings and instructions in **Operation** manual.  
Save these instructions.

## Contents

<b>Old High-Flo to NXT Connection Kit 288202</b> . . . . .	<b>3</b>
Parts List and Drawing . . . . .	3
Pump Performance Charts . . . . .	4
NXT 2200 with 1000cc Lower . . . . .	4
NXT 2200 with 1500cc Lower . . . . .	5
NXT 3400 with 1500cc Lower . . . . .	5
<b>New High-Flo to Bulldog and Senator</b>	
<b>Connection Kit 288208</b> . . . . .	<b>7</b>
Parts List and Drawing . . . . .	7
Pump Performance Charts . . . . .	8
Senator with 1000cc Lower . . . . .	8
Senator with 1500cc Lower . . . . .	9
Senator with 2000cc Lower . . . . .	9
Bulldog with 1500cc Lower . . . . .	10
Bulldog with 2000cc Lower . . . . .	10
<b>High-Flo to President Connection Kit 288504</b> . . . . .	<b>11</b>
Parts List and Drawing . . . . .	11
Pump Performance Charts . . . . .	12
President with 1000cc Lower . . . . .	12
President with 1500cc Lower . . . . .	13
President with 2000cc Lower . . . . .	13

PROVEN QUALITY. LEADING TECHNOLOGY.





A series of horizontal lines for writing, consisting of 25 evenly spaced lines that span the width of the page.

# Old High-Flo\* to NXT Connection Kit 288202

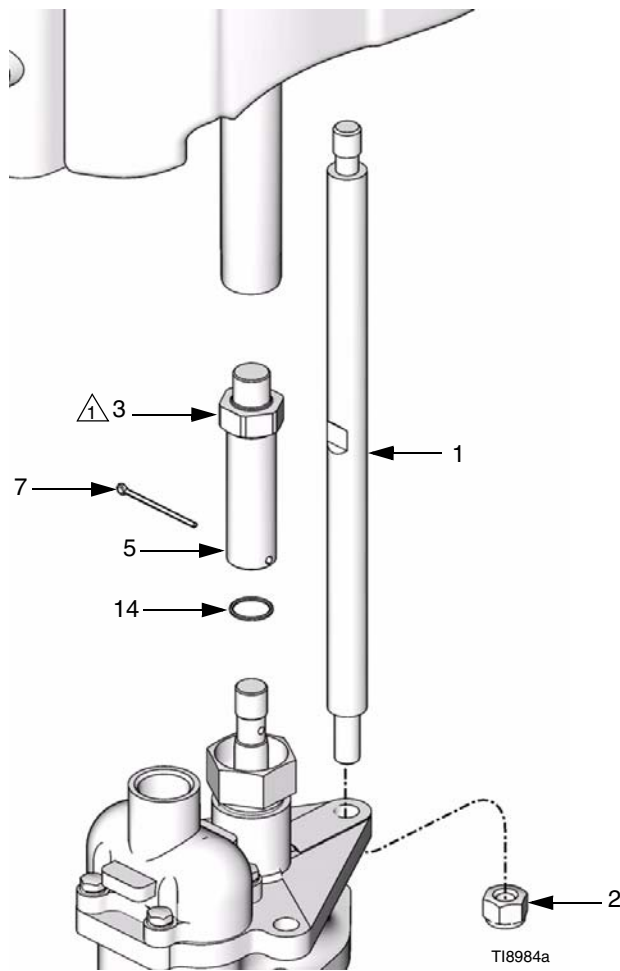
\* NXT 2200 motor to be used with 239834, 239837, 240608, 240609, 239835, 239838, 240606, 240607, and 15D787 only.  
 NXT 3400 motor to be used with 239835, 239838, 240606, 240607, and 15D787 only.

**CAUTION**

Using a NXT 2200 motor with a 760cc lower or using a NXT 3400 motor with a 760cc or 1000cc lower could cause dangerous overpressurization.

## Parts List and Drawing

Ref. Part.	Description	Qty
1	15G924 ROD, tie	3
2	108683 NUT, lock, hex	3
3	111368 COLLAR, coupling	1
5	15H980 ADAPTER, lg mr	1
7	100103 PIN, cotter	1
14	108284 PACKING, o-ring	1



Torque to 145-155 ft-lb (196 -210 N•m)

# Pump Performance Charts

## Fluid Outlet Pressure

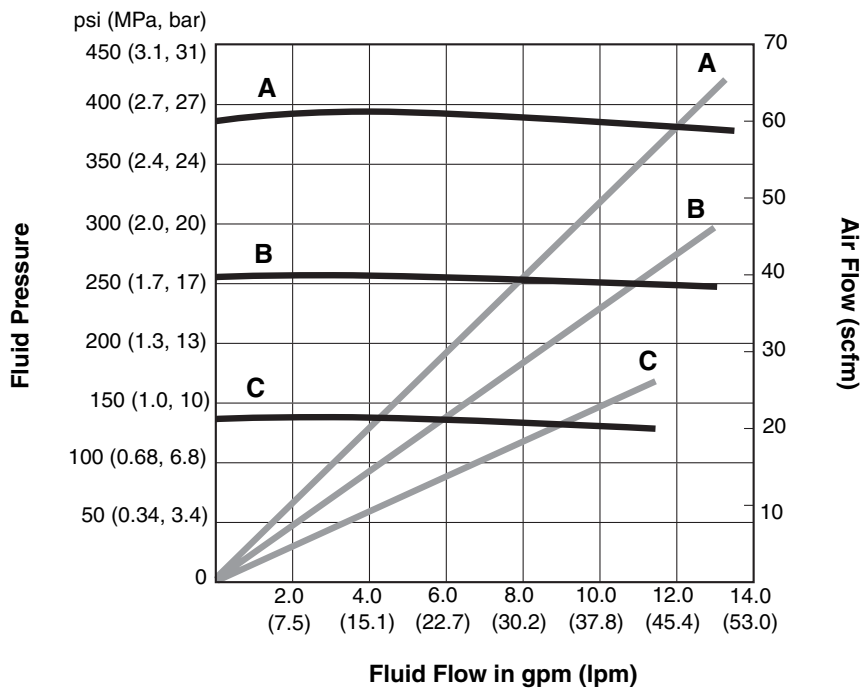
To find fluid outlet pressure (MPa/bar/psi) at a specific flow (lpm/gpm) and operating pressure (A/B/C):

1. Locate desired flow at bottom of chart.
2. Follow vertical line up to intersection with selected operating pressure curve (solid line). Follow left to scale to read fluid outlet pressure.

### Key

- A** 0.7 MPa, 7 bar (100 psi) air pressure
  - B** 0.5 MPa, 4.9 bar (70 psi) air pressure
  - C** 0.3 MPa, 2.8 bar (40 psi) air pressure
- Test Fluid:** No. 10 Weight Oil

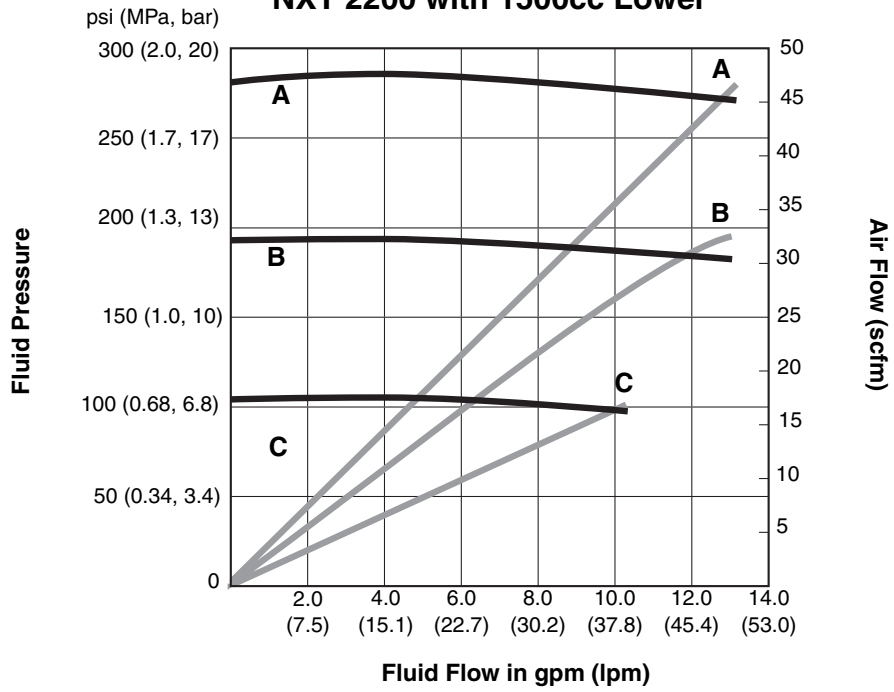
### NXT 2200 with 1000cc Lower



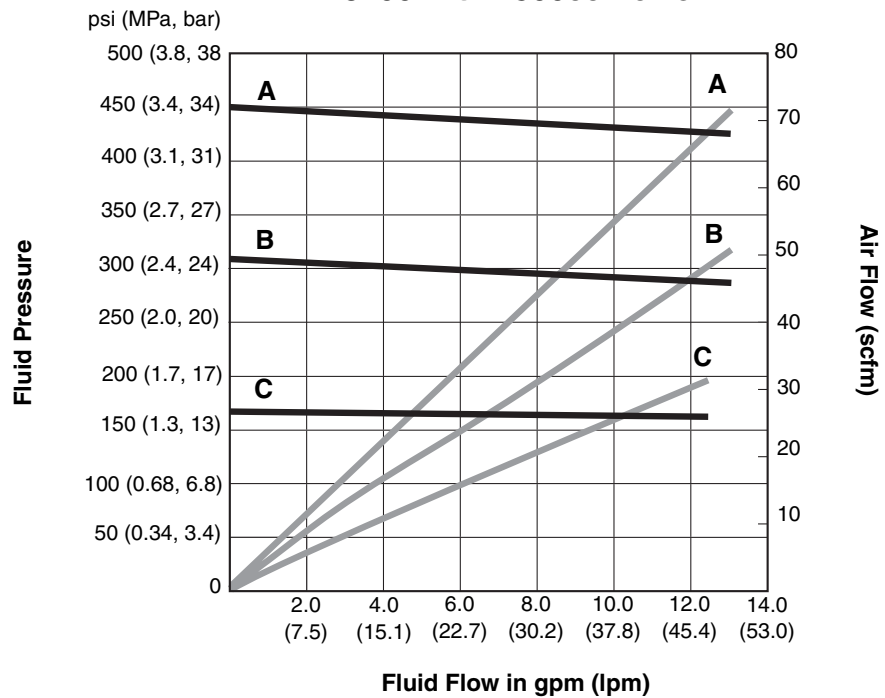
**Key**

- A** 0.7 MPa, 7 bar (100 psi) air pressure
  - B** 0.5 MPa, 4.9 bar (70 psi) air pressure
  - C** 0.3 MPa, 2.8 bar (40 psi) air pressure
- Test Fluid:** No. 10 Weight Oil

**NXT 2200 with 1500cc Lower**



**NXT 3400 with 1500cc Lower**





A series of horizontal lines spanning the width of the page, providing a template for writing.

# New High-Flo\* to Bulldog and Senator Connection Kit 288208

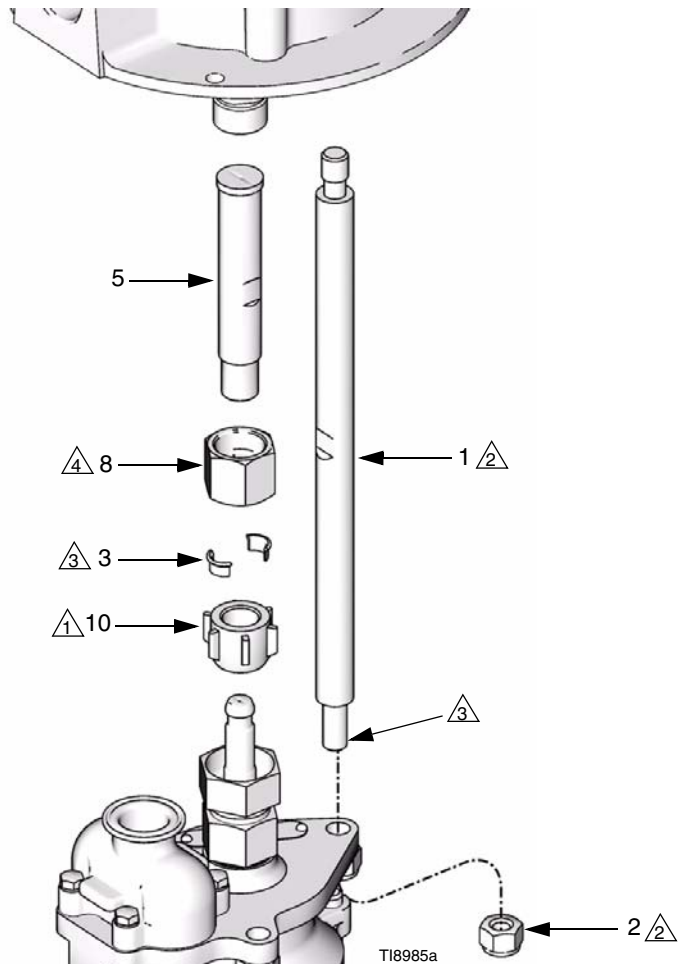
\* Bulldog air motors to be used with models 253034, 253062, 253085, 253397, 253521, 253524, 253569, 253035, 253063, 253086, 253396, 253522, 253525, and 253270 only.

Senator air motors to be used with models 253034, 253062, 253085, 253397, 253521, 253524, 253569, 253035, 253063, 253086, 253396, 253522, 253525, and 253270, as well as 253033, 253061, 253398, 253423, 253520, 253523, and 253568 only.

<b>CAUTION</b>
Using a Bulldog air motor with a 1000cc lower could cause dangerous overpressurization.

## Parts List and Drawing

Ref.	Part.	Description	Qty
1	183089	ROD, tie	3
2	108527	NUT, lock, hex	3
3	184128	COLLAR, coupling	2
5	15H981	ADAPTER, lg mr	1
8	184059	NUT, coupling	1
10	183079	NUT, coupling	1



- ① Torque to 145-150 ft-lb (196-203 N•m).
- ② Torque to 50-60 ft-lb (68-91 N•m).
- ③ Apply lubricant.
- ④ Torque to 75-80 ft-lb (102-109 N•m).

# Pump Performance Charts

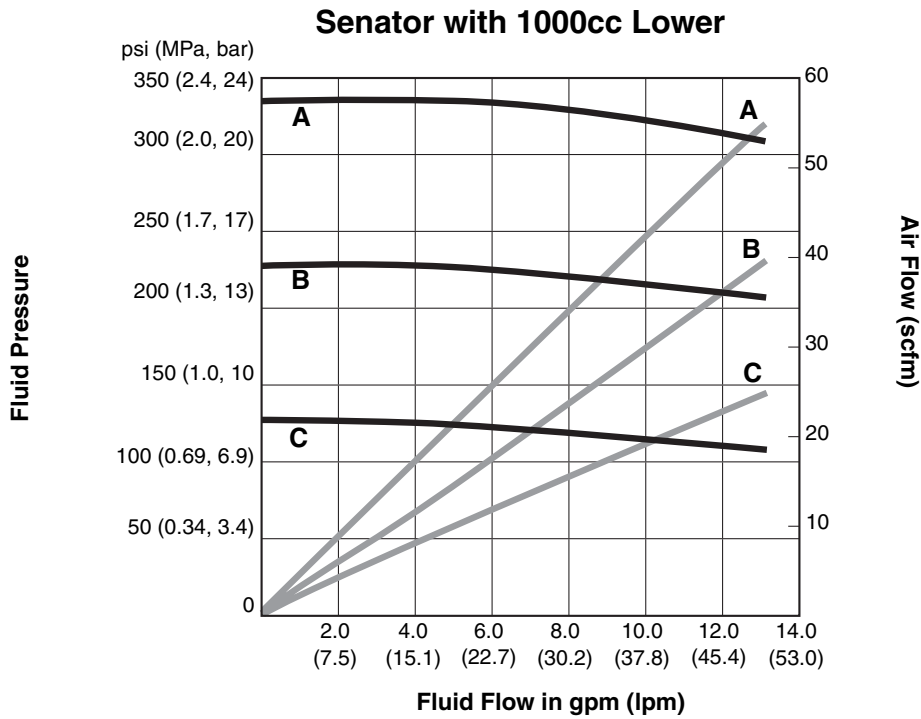
## Fluid Outlet Pressure

To find fluid outlet pressure (MPa/bar/psi) at a specific flow (lpm/gpm) and operating pressure (A/B/C):

1. Locate desired flow at bottom of chart.
2. Follow vertical line up to intersection with selected operating pressure curve (solid line). Follow left to scale to read fluid outlet pressure.

### Key

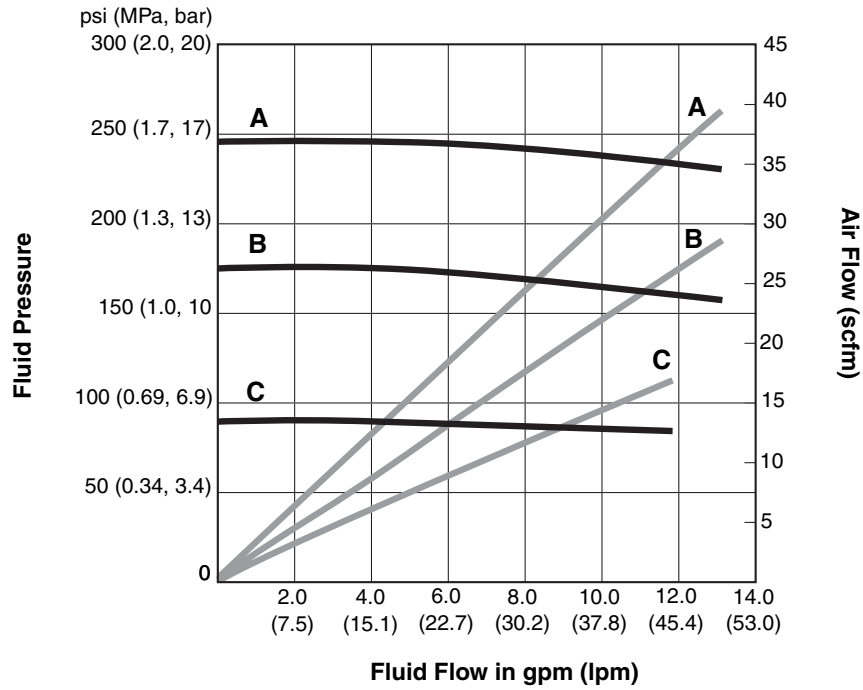
- A** 0.7 MPa, 7 bar (100 psi) air pressure
- B** 0.5 MPa, 4.9 bar (70 psi) air pressure
- C** 0.3 MPa, 2.8 bar (40 psi) air pressure
- Test Fluid:** No. 10 Weight Oil



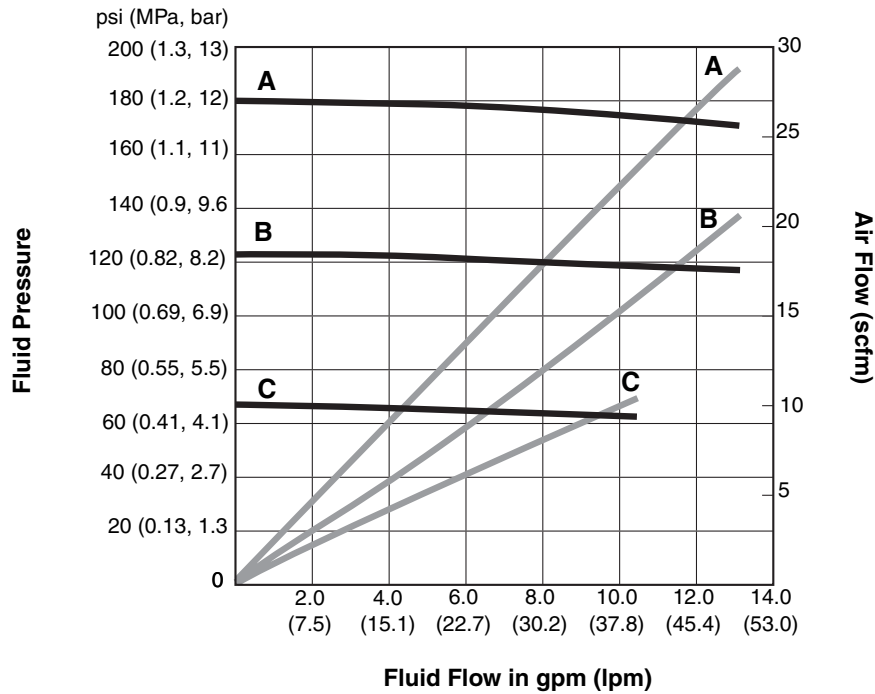
**Key**

- A** 0.7 MPa, 7 bar (100 psi) air pressure
  - B** 0.5 MPa, 4.9 bar (70 psi) air pressure
  - C** 0.3 MPa, 2.8 bar (40 psi) air pressure
- Test Fluid: No. 10 Weight Oil**

**Senator with 1500cc Lower**



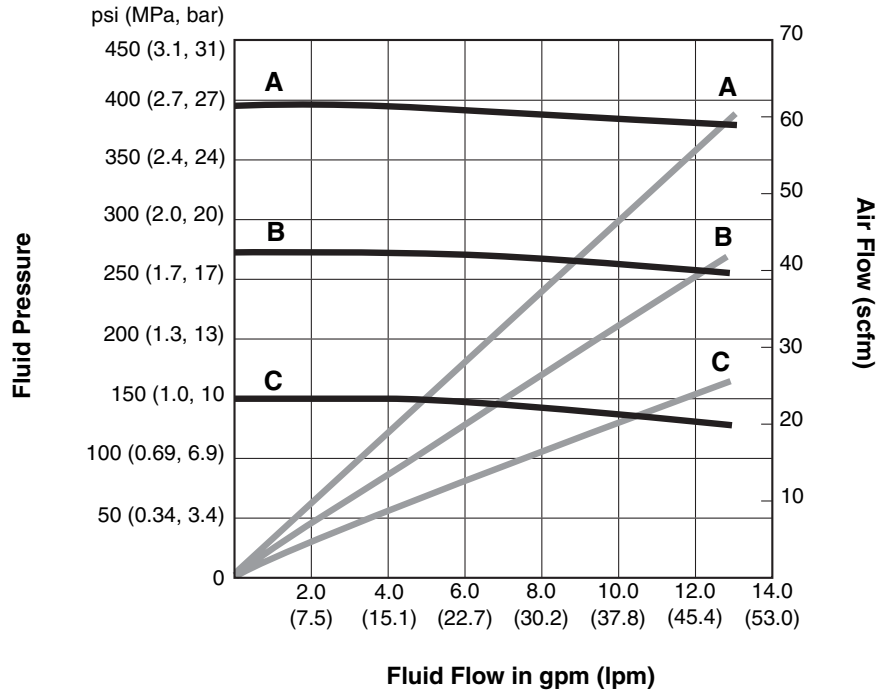
**Senator with 2000cc Lower**



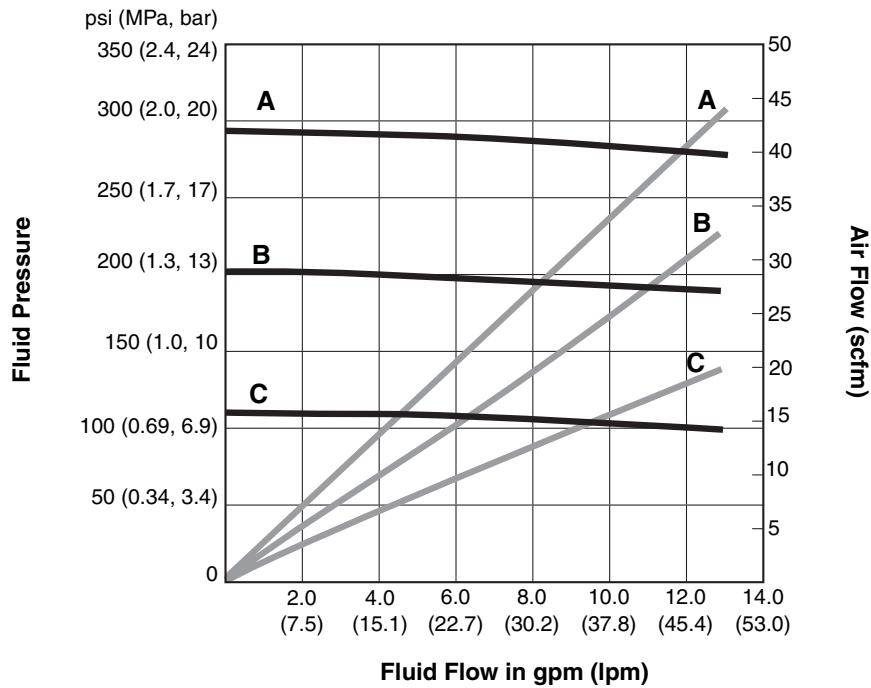
**Key**

- A** 0.7 MPa, 7 bar (100 psi) air pressure
  - B** 0.5 MPa, 4.9 bar (70 psi) air pressure
  - C** 0.3 MPa, 2.8 bar (40 psi) air pressure
- Test Fluid:** No. 10 Weight Oil

**Bulldog with 1500cc Lower**



**Bulldog with 2000cc Lower**

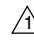



# High-Flo\* to President Connection Kit 288504

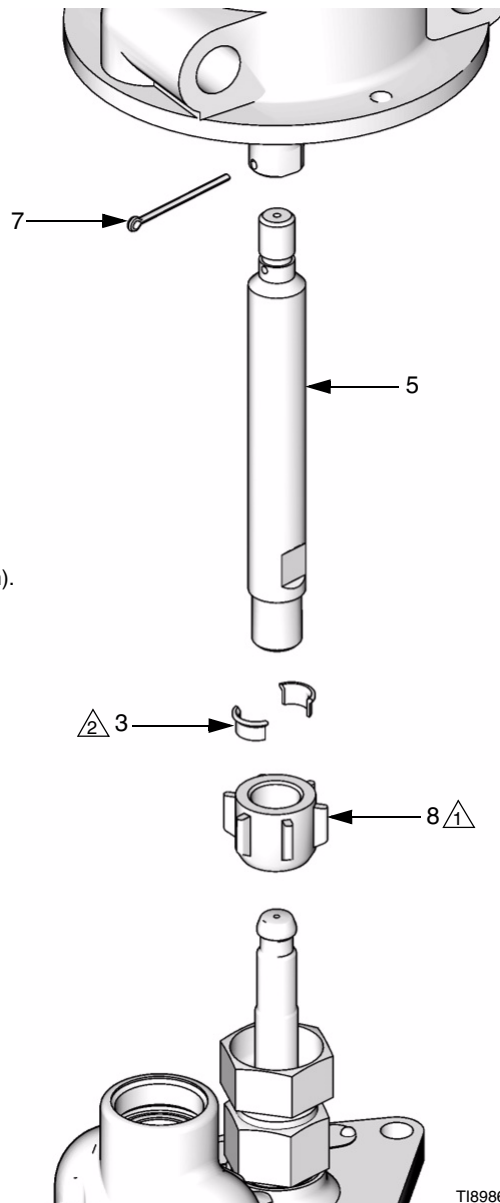
\* President air motors to be used with 253034, 253062, 253085, 253397, 253521, 253524, 253569, 253035, 253063, 253086, 253396, 253522, 253525, 253570, 253033, 253061, 253398, 253423, 253520, 253523, and 253568 only.

## Parts List and Drawing

Ref. Part.	Description	Qty
3	184128 COLLAR, coupling	2
5	15J948 ADAPTER	1
7	100579 PIN, cotter	1
8	184059 NUT, coupling	1

 1 Torque to 145-150 ft-lb (197-203 N•m).

 2 Apply lubricant.



T18986a

# Pump Performance Charts

## Fluid Outlet Pressure

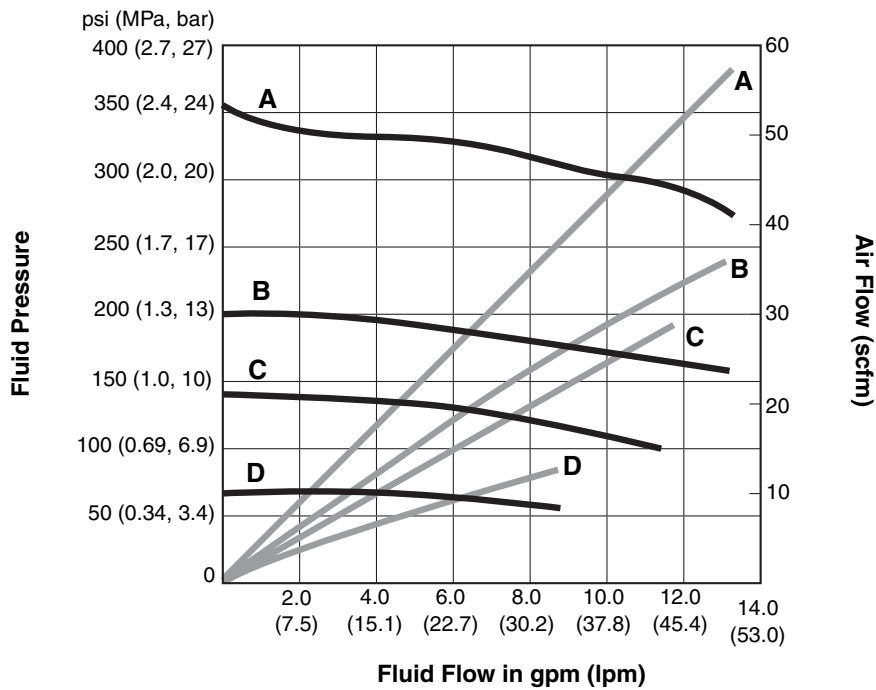
To find fluid outlet pressure (MPa/bar/psi) at a specific flow (lpm/gpm) and operating pressure (A/B/C/D):

1. Locate desired flow at bottom of chart.
2. Follow vertical line up to intersection with selected operating pressure curve (solid line). Follow left to scale to read fluid outlet pressure.

### Key

- A** 1.17 MPa, 11.7 bar (170 psi) air pressure
  - B** 0.7 MPa, 7 bar (100 psi) air pressure
  - C** 0.5 MPa, 4.9 bar (70 psi) air pressure
  - D** 0.3 MPa, 2.8 bar (40 psi) air pressure
- Test Fluid:** No. 10 Weight Oil

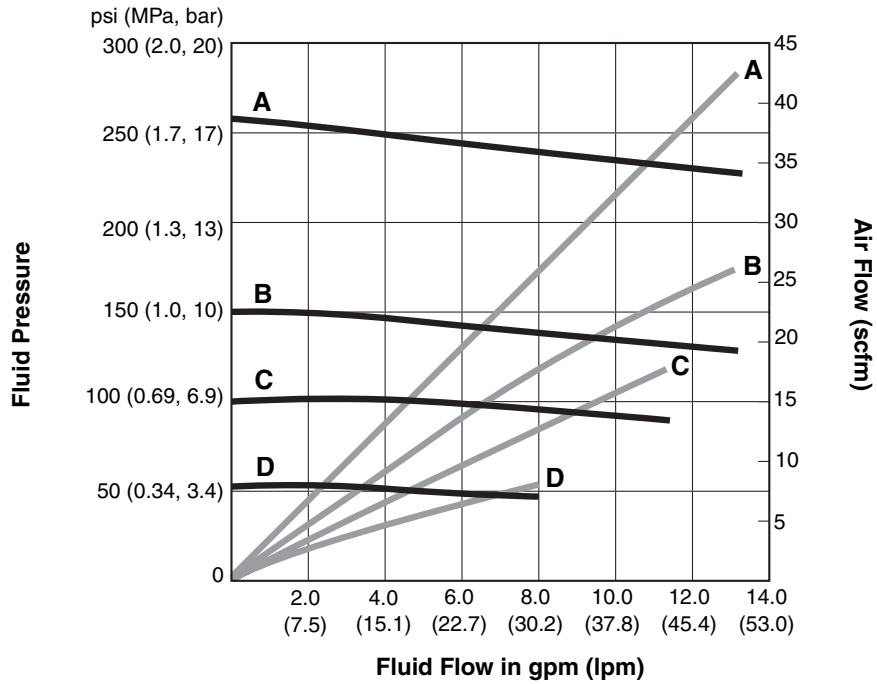
### President with 1000cc Lower



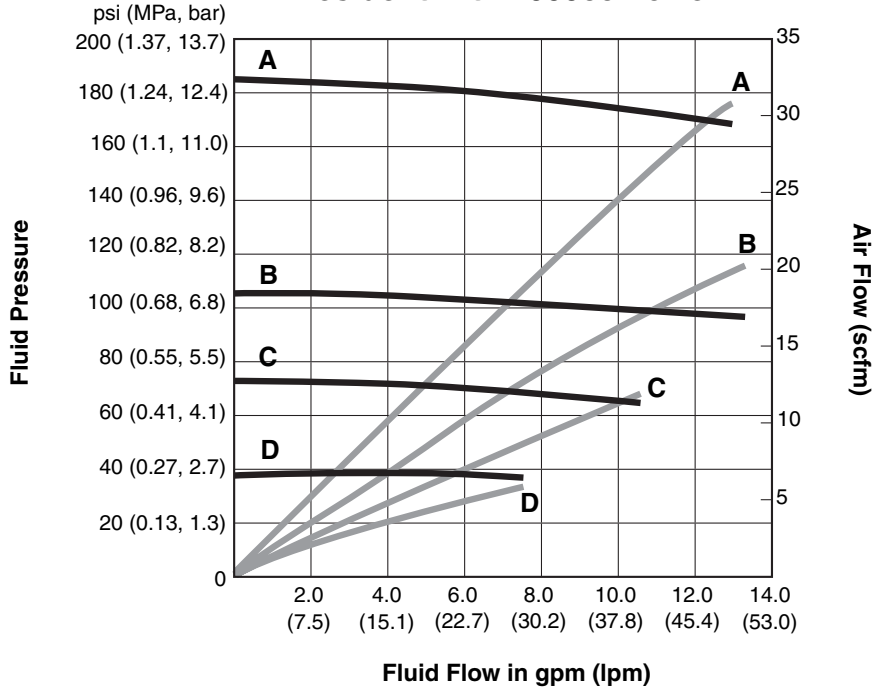
**Key**

- A** 1.17 MPa, 11.7 bar (170 psi) air pressure
  - B** 0.7 MPa, 7 bar (100 psi) air pressure
  - C** 0.5 MPa, 4.9 bar (70 psi) air pressure
  - D** 0.3 MPa, 2.8 bar (40 psi) air pressure
- Test Fluid:** No. 10 Weight Oil

**President with 1500cc Lower**



**President with 2000cc Lower**



*All written and visual data contained in this document reflects the latest product information available at the time of publication.  
Graco reserves the right to make changes at any time without notice.*

This manual contains English. MM 311876

**Graco Headquarters:** Minneapolis

**International Offices:** Belgium, China, Japan, Korea

**GRACO INC. P.O. BOX 1441 MINNEAPOLIS, MN 55440-1441**

[www.graco.com](http://www.graco.com)

311876A, 12/2006, Revised 12/2006