



Neohm | Neohm CRGH

TE Internal #: 7-1879510-8

7.32K ohm, Surface Mount Power Resistor, Thick Film, 0805, .33 W, 1 %, ±100 ppm/°C, Solder, 2 Terminations, .55 mm [.022 in] Height, Neohm CRGH

[View on TE.com >](#)

Passive Components > Resistors > Surface Mount Resistors



Resistance Value: 7.32K Ω

Resistor Type: Power Resistor

Element Type: Thick Film

Package Size Code: 0805

Power Rating: .33 W

### Features

#### Product Type Features

|                   |                |
|-------------------|----------------|
| Resistor Type     | Power Resistor |
| Element Type      | Thick Film     |
| Package Size Code | 0805           |

#### Configuration Features

|                     |   |
|---------------------|---|
| Number of Resistors | 1 |
|---------------------|---|

#### Electrical Characteristics

|                             |           |
|-----------------------------|-----------|
| Operating Voltage           | 150 V     |
| Resistance Value            | 7.32K Ω   |
| Power Rating                | .33 W     |
| Resistance Class            | 1kΩ – 1MΩ |
| Passive Component Tolerance | 1 %       |

#### Termination Features

|   |        |
|---|--------|
| Surface Mount Resistor Termination Type | Solder |
| Number of Terminations                  | 2      |

#### Dimensions

|                |                  |
|----------------|------------------|
| Product Height | .55 mm[.022 in]  |
| Product Length | 2 mm[.079 in]    |
| Product Width  | 1.25 mm[.049 in] |



### Usage Conditions

|                         |             |
|-------------------------|-------------|
| Temperature Coefficient | ±100 ppm/°C |
|-------------------------|-------------|

### Packaging Features

|                  |                |
|------------------|----------------|
| Packaging Method | Taped & Reeled |
|------------------|----------------|

### Product Compliance

[For compliance documentation, visit the product page on TE.com>](#)

|   |   |
|---|---|
| EU RoHS Directive 2011/65/EU                  | Compliant with Exemptions   |
| EU ELV Directive 2000/53/EC                   | Not Compliant   |
| China RoHS 2 Directive MIIT Order No 32, 2016 | Restricted Materials Above Threshold  |
| EU REACH Regulation (EC) No. 1907/2006        | Current ECHA Candidate List: JUNE 2024 (241)<br>Candidate List Declared Against: JUNE 2024 (241)<br>Does not contain REACH SVHC |
| Halogen Content                               | Low Halogen - Br, Cl, F, I < 900 ppm per homogenous material. Also BFR/CFR/PVC Free   |
| Solder Process Capability                     | Reflow solder capable to 260°C  |

#### Product Compliance Disclaimer

This information is provided based on reasonable inquiry of our suppliers and represents our current actual knowledge based on the information they provided. This information is subject to change. The part numbers that TE has identified as EU RoHS compliant have a maximum concentration of 0.1% by weight in homogenous materials for lead, hexavalent chromium, mercury, PBB, PBDE, DBP, BBP, DEHP, DIBP, and 0.01% for cadmium, or qualify for an exemption to these limits as defined in the Annexes of Directive 2011/65/EU (RoHS2). Finished electrical and electronic equipment products will be CE marked as required by Directive 2011/65/EU. Components may not be CE marked. Additionally, the part numbers that TE has identified as EU ELV compliant have a maximum concentration of 0.1% by weight in homogenous materials for lead, hexavalent chromium, and mercury, and 0.01% for cadmium, or qualify for an exemption to these limits as defined in the Annexes of Directive 2000/53/EC (ELV). Regarding the REACH Regulation, the information TE provides on SVHC in articles for this part number is based on the latest European Chemicals Agency (ECHA) 'Guidance on requirements for substances in articles' posted at this URL: <https://echa.europa.eu/guidance-documents/guidance-on-reach>

### Compatible Parts

TE Part # 1879513-1  
CRGH1206 1% 10R 0.5W

TE Part # 3-1879523-9  
CRGH2512 1% 24R9 2W

TE Part # 6-1879501-0  
CRGH2512 5% 300R 2W

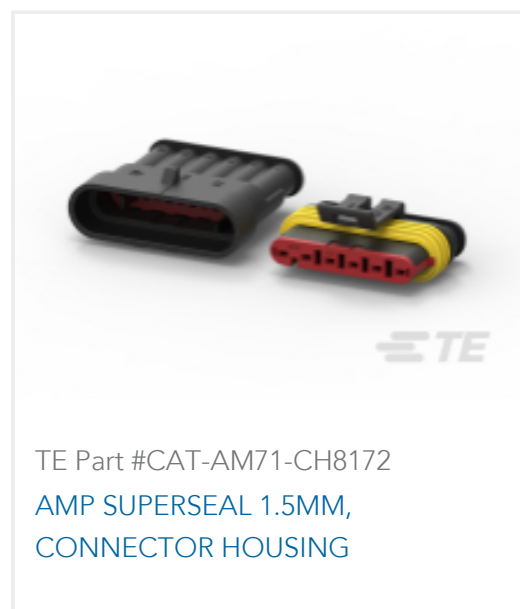
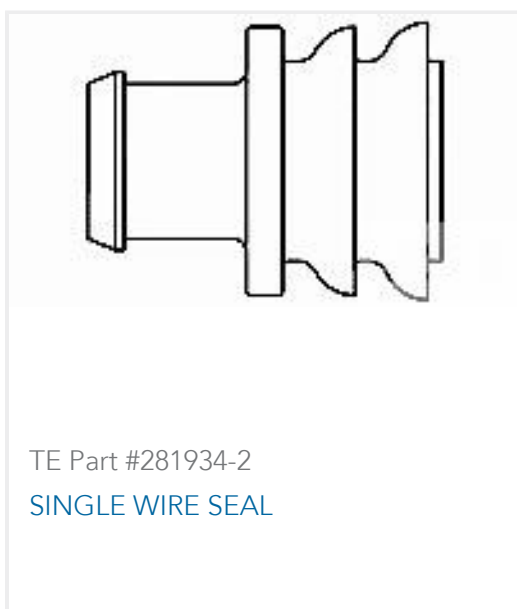
TE Part # 1-1879502-0  
CRGH2512 5% 33K 2W



### Also in the Series | Neohm CRGH



### Customers Also Bought



### Documents

[Product Drawings](#)  
[CRGH0805 1% 7K32 0.33W](#)

English

[CAD Files](#)  
[3D PDF](#)  
3D



**Customer View Model**

[ENG\\_CVM\\_CVM\\_7-1879510-8\\_BA.2d\\_dxf.zip](#)

English

**Customer View Model**

[ENG\\_CVM\\_CVM\\_7-1879510-8\\_BA.3d\\_igs.zip](#)

English

**Customer View Model**

[ENG\\_CVM\\_CVM\\_7-1879510-8\\_BA.3d\\_stp.zip](#)

English

By downloading the CAD file I accept and agree to the [Terms and Conditions](#) of use.

**Datasheets & Catalog Pages**

[1309350\\_PASSIVE\\_COMPONENT](#)

English

[High Power Thick Film Chip Resistors](#)

English