

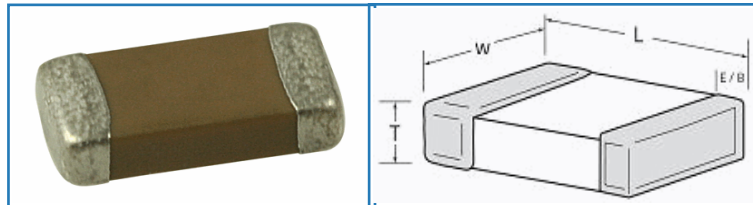
# DATASHEET

## C0603X5R6R3-475KNE

GENERAL PURPOSE CERAMIC CAPACITORS (C SERIES)  
0603, X5R, 6.3V, 4.7uF, ±10%, 100% matte Tin(Sn) over Nickel



VENKEL LTD.



### SIZE SPECIFICATIONS units: inches

Length:	0.063
Width:	0.032
T(max):	0.040
Min E/B:	0.008
Size(EIA):	0603

### COMPONENT SPECIFICATIONS

Category:	Ceramic Capacitors
Series:	General Purpose (C Series)
Size:	0603
Dielectric:	X5R
Voltage:	6.3V
Capacitance:	4.7uF
Tolerance:	±10%
Termination:	100% matte Tin(Sn) over Nickel
Packaging:	E
Quantity per Reel:	4,000

### DIELECTRIC SPECIFICATIONS

Temperature Coefficient:	0 ±15%Δ°C MAX
Temperature Voltage Coefficient	X5R not applicable
Ageing:	2.5% per decade hour, typical
Withstanding Voltage:	2.5 times VDCW
Operating Temp:	-55°C to +85°C
Dissipation Factor:	See C Series Datasheet

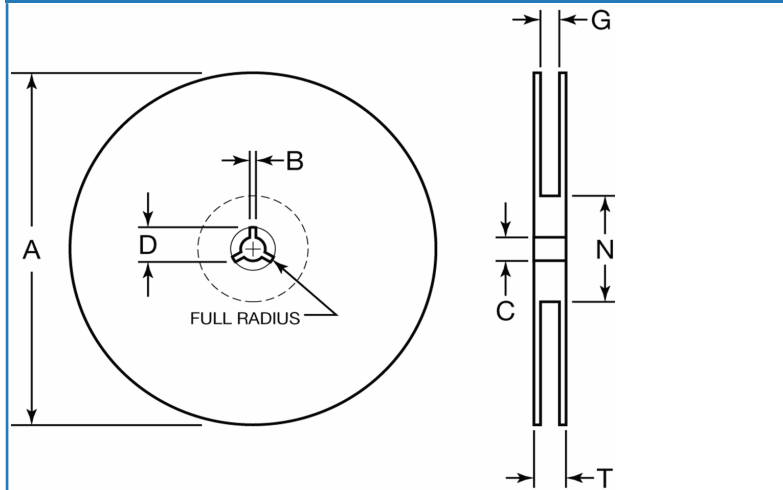
### ENVIRONMENTAL INFORMATION

RoHS Status	6 of 6 Compliant
REACH Status	Compliant
Halogen Status	Halogen Free
Conflict Mineral Status	Conflict Mineral Free
Moisture Sensitivity Level	MSL1

### REFLOW PROFILE

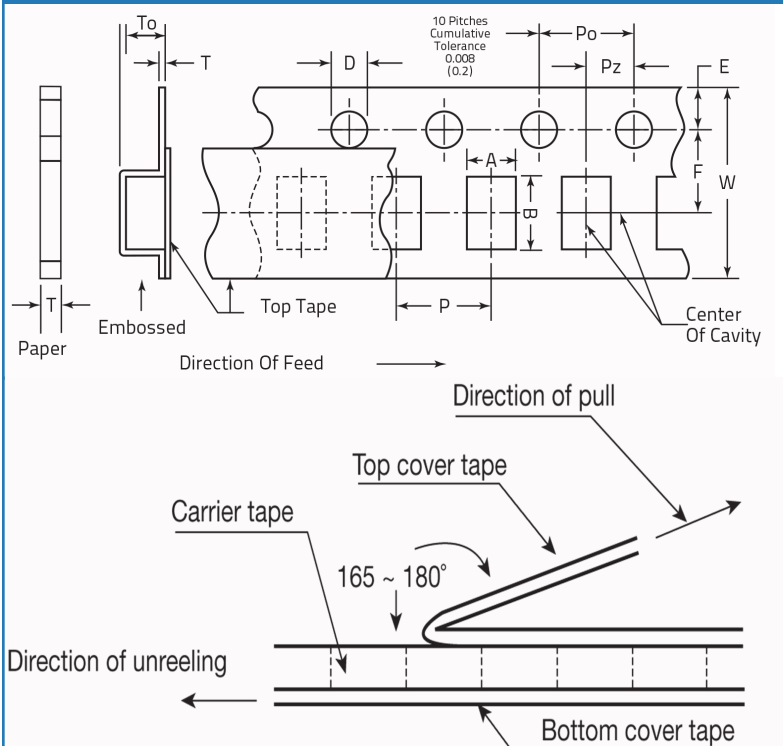
Max Reflow Temperature	260 °C
Number of Reflow Cycles	2
Time at Max Reflow Temp.	10 sec

### REEL DIMENSIONS units: mm



Tape	B min	C	A(7")	A(13")	D Min	N Min	G	T max
8mm	0.30	13 ± 0.05	178 ± 2.0	330 ± 2.0	20.20	50.00	10 ± 1.5	14.90

### TAPING SPECIFICATIONS units: mm



A	B	W	F	E	Po
1.10 ± 0.2	1.90 ± 0.2	8.0 ± 0.2	3.5 ± 0.1	1.75 ± 0.1	4.0 ± 0.1
Pz	D	T	P	To	T(E)
2.0 ± 0.05 - 0.0	1.5 ± 0.1	1.15 MAX	4.0 ± 0.1		

# Unikeyic Electronics

Global Electronic Components Distributor

Click to view pricing, inventory, delivery, and lifecycle information:

## [VENKEL:](#)

[CTL0805FGR1T-CT](#) [CR0603-16W-8250FT](#) [C0402HQN500-150FNP](#) [C0603C0G500-8R2CNE-CT](#)  
[C0805X7R501-102KNP](#) [C1206Y5V160-106MNE-CT](#) [TFCR1206-8W-E-2001BT](#) [C0603C0G500-390JNP-CT](#)  
[C0603X7R101-182KNP-CT](#) [C0603Y5V250-104MNE-CT](#) [C0805X7R201-121MNP-CT](#)  
[C0402X7R250-822KNE-CT](#) [CR0201-20W-302JT](#) [C0402C0G250-9R1DNP-CT](#) [C0402C0G500-151JNE](#)  
[CR0402-16W-9531FT](#) [CR1206-4W-7153FT](#) [CR1206-8W-1104FT](#) [C0201X5R6R3-333KNP-CT](#)  
[C0805X5R250-225KNE](#) [C0805X5R500-106KNE](#) [C2220X7R500-106MNE](#) [CR0402-16W-3831FT](#)  
[SMAJ15CAS4-EVL](#) [C0201X5R100-474MNP](#) [C0402C0G250-271FNP](#) [C0402Z5U250-103MNP-CT](#)  
[C0603C0G250-270KNE-CT](#) [C0402X5R250-104MNP-CT](#) [C0805X5R500-225KNE-CT](#)