



Sample image






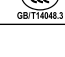
Datasheet

Article number: 70017535

Designation: KG100.T204/04.E

Description: Switch Global Disconnecter


| IEC 60947-3 EN 60947-3, VDE 0660 Teil 107 | | | | | | |
|--|-----------------------------------|--|--------------------------|--|---------------------------|--------------------------|
| Номинальное напряжение изоляции Ui | | | | | | |
| | | Напряжение (В) Переменный ток/Постоянный ток | | | | |
| | | 690 50/60Hz | | | | |
| Номинальный длительный ток Iu/Ith | | | | | | |
| Сила тока (А) | Температура окружающей среды (°C) | Пиковое значение температуры (°C) | | Дополнительные требования | | |
| 100 | 50 | 55 | | Средняя температура окружающей среды +50°C в течение 24 часов с максимальным значением +55°C | | |
| Номинальный рабочий ток Ie | | | | | | |
| Категория применения | | Напряжение (диапазон) (В) | | | | Сила тока (А) |
| AC-32A | | 20 - 400 | | | | 100 |
| Номинальная рабочая мощность | | | | | | |
| Категория применения | Напряжение (диапазон) (В) | | Количество фаз | Количество полюсов | | Мощность (кВт) |
| AC-3 | 220 - 240 | | 3 | 3 | | 18,50 |
| AC-3 | 380 - 440 | | 3 | 3 | | 30 |
| AC-3 | 660 - 690 | | 3 | 3 | | 22 |
| AC-23A | 220 - 240 | | 3 | 3 | | 22 |
| AC-23A | 380 - 440 | | 3 | 3 | | 37 |
| AC-23A | 660 - 690 | | 3 | 3 | | 30 |
| Максимальный номинал предохранителя по IEC | | | | | | |
| Характеристика предохранителя | | Количество предохранителей | | | | Сила тока (А) |
| gG | | 1 | | | | 100 |
| UL60947-4-1 , UL508 | | | | | | |
| Nominal Voltage | | | | | | |
| | | Voltage (V) AC / DC | | | | |
| | | 600 AC | | | | |
| Rated insulation voltage Ui | | | | | | |
| | | Voltage (V) AC / DC | | | | |
| | | 600 AC | | | | |
| Rated thermal current | | | | | | |
| | | Current (A) | Ambient temperature (°C) | | Additional Text | |
| | | 100 | 0 - 40 | | - | |
| Horsepower rating | | | | | | |
| Across-the-Line Motor Starting | | Voltage (V) | No. of phases | No. of poles | Power (HP) | Ambient temperature [°C] |
| DOL | | 110 - 120 | 1 | 2 | 5 | 40 |
| DOL | | 220 - 240 | 1 | 2 | 15 | 40 |
| DOL | | 277 - 277 | 1 | 2 | 15 | 40 |
| DOL | | 415 - 415 | 1 | 2 | 25 | 40 |
| DOL | | 440 - 480 | 1 | 2 | 30 | 40 |
| DOL | | 550 - 600 | 1 | 2 | 30 | 40 |
| DOL | | 110 - 120 | 3 | 3 | 10 | 40 |
| DOL | | 220 - 240 | 3 | 3 | 25 | 40 |
| DOL | | 415 - 415 | 3 | 3 | 40 | 40 |
| DOL | | 440 - 480 | 3 | 3 | 50 | 40 |
| DOL | | 550 - 600 | 3 | 3 | 50 | 40 |
| SCCR / Max. fuse rating | | | | | | |
| <i>Conditions of acceptability</i> | | | | | | |
| These devices are suitable for use on circuits capable of delivering not more than 10kA rms symmetrical amperes, 600V ac max. when protected by Type RK1 fuses or Circuit Breaker Type SFHA36AT0250, manufactured by General Electric. | | | | | | |
| Suitable for use on a circuit capable of delivering not more than 65000 rms symmetrical amperes 600V max., when protected by Class J fuses, 100A max. | | | | | | |
| Temp. rating of wire | | | | | | |
| | | Temperature rating (°C) | Current (A) Text | | | |
| | | 75 | -- -- | | | |
| Connecting instructions | | | | | | |
| <i>Markings</i> | | | | | | |
| Break all lines. | | | | | | |
| General Use | | | | | | |
| AC / DC | Voltage (V) | Current (A) | No. of phases | No. of poles | No. of contacts in series | |
| AC | 277 | 100 | 1 | 1 | 1 | |

| General Use | | | | | | |
|--|---|-------------------------------|---|----------------------|---------------------------|--|
| AC / DC | Voltage (V) | Current (A) | No. of phases | No. of poles | No. of contacts in series | |
| AC | 600 | 100 | 1 | 2 | 1 | |
| AC | 600 | 100 | 3 | 3 | 1 | |
| General Information | | | | | | |
| <i>Text</i> | | | | | | |
| - The operating handle and position indicating means to be used with these manual motor controllers should be provided from the manufacturer, or the operating handle and position indicating means to be used should have been previously evaluated in combination with the manual motor controllers. | | | | | | |
| - When intended for use as a motor disconnecter the device shall be provided with a method of being locked in the OFF-position. | | | | | | |
| CSA | | | | | | |
| Nominal Voltage | | | | | | |
| Voltage (V) AC / DC 600 AC | | | | | | |
| Номинальное напряжение изоляции UI | | | | | | |
| Напряжение (В) Переменный ток/Постоянный ток 600 AC | | | | | | |
| Rated thermal current | | | | | | |
| Current (A) Ambient temperature (°C) Additional Text 100 0 - 40 - | | | | | | |
| Horsepower rating | | | | | | |
| Across-the-Line Motor Starting | | | | | | |
| | Voltage (V) | No. of phases | No. of poles | Power (HP) | Ambient temperature [°C] | |
| DOL | 110 - 120 | 1 | 2 | 5 | 40 | |
| DOL | 220 - 240 | 1 | 2 | 15 | 40 | |
| DOL | 277 - 277 | 1 | 2 | 15 | 40 | |
| DOL | 415 - 415 | 1 | 2 | 25 | 40 | |
| DOL | 440 - 480 | 1 | 2 | 30 | 40 | |
| DOL | 550 - 600 | 1 | 2 | 30 | 40 | |
| DOL | 110 - 120 | 3 | 3 | 10 | 40 | |
| DOL | 220 - 240 | 3 | 3 | 25 | 40 | |
| DOL | 415 - 415 | 3 | 3 | 40 | 40 | |
| DOL | 440 - 480 | 3 | 3 | 50 | 40 | |
| DOL | 550 - 600 | 3 | 3 | 50 | 40 | |
| Temp. rating of wire | | | | | | |
| Temperature rating (°C) Current (A) Text 75 -- -- | | | | | | |
| General Use | | | | | | |
| AC / DC | Voltage (V) | Current (A) | No. of phases | No. of poles | No. of contacts in series | |
| AC | 277 | 100 | 1 | 1 | 1 | |
| AC | 600 | 100 | 1 | 2 | 1 | |
| AC | 600 | 100 | 3 | 3 | 1 | |
| ОСНОВНАЯ ТЕХНИЧЕСКАЯ ИНФОРМАЦИЯ | | | | | | |
| Size of conductor | | | | | | |
| composition of conductor | Min. / Max. value | No. of conductor per terminal | Cross section (mm ²) or (AWG/kcmil) | Material of the wire | | |
| Solid wire | Min. | 1 | 2,5mm ² | Copper | | |
| Flexible wire | Min. | 1 | 4mm ² | Copper | | |
| Flexible wire | Max. | 1 | 35mm ² | Copper | | |
| Flexible wire | Max. | 1 | AWG 2 | Copper | | |
| Single-core or stranded wire | Min. | 1 | AWG 10 | Copper | | |
| Single-core or stranded wire | Max. | 1 | AWG 1/0 | Copper | | |
| Single-core or stranded wire | Max. | 1 | 50mm ² | Copper | | |
| Flexible wire with sleeve | Max. | 1 | 35mm ² | Copper | | |
| Flexible wire with ferrule according to DIN 46228 | Min. | 1 | 2,5mm ² | Copper | | |
| Stripping length | | | | | | |
| Length (mm) -  | | | | | | |
| Рекомендуемая отвертка | | | | | | |
| Тип отвертки | Value | | | | | |
| Крестовая отвертка | PH2 | | | | | |
| Slot screwdriver according to DIN 5264 | 1,2x6,5 | | | | | |
| Момент затяжки винтов | | | | | | |
| Момент затяжки (Нм) Момент затяжки (фунт-дюйм) 3 27 | | | | | | |
| Approbations | | | | | | |
| Specification | Marking | | | | | |
| CE marking |  | | | | | |
| UK Directives |  | | | | | |
| UL 60947-4-1; CSA C22.2 No. 60947-4-1 |  | | | | | |
| CSA C.22.2 No.14 |  | | | | | |
| GB/T14048.3 |  | | | | | |


Общая информация

- Текст**
- Используйте только медные провода (с жилами лужеными/посеребренными или без такового покрытия). Пайка концов проводов перед монтажом не допускается.
 - Клеммы с установленными на заводе перемычками затягиваются во время производства для предотвращения потерь. Открывая клеммные зажимы, убедитесь, что ни одна установленная на заводе перемычка не потерялась, и все соединения проводов правильно закреплены.
 - После подключения ВСЕ винты клемм должны быть затянуты с указанным моментом затяжки.
 - Класс защиты выбранного типа монтажа может варьироваться в случае использования дополнительных приспособлений.
 - Не смазывайте и не разбирайте контакты.
 - Переключатели могут быть установлены, подключены и введены в эксплуатацию только квалифицированным персоналом в соответствии с принятыми техническими правилами.

Waste Electrical & Electronic Equipment (WEEE)

- Picture name** Description
- 
- Do not throw in the trash as care must be taken to ensure environmentally sound disposal and recycling. Please either use an environmentally friendly waste disposal company, return to the supplier for disposal, or return direct to the manufacturer, Kraus & Naimer. You can find local Kraus & Naimer offices at www.krausnaimer.com

Proposition 65

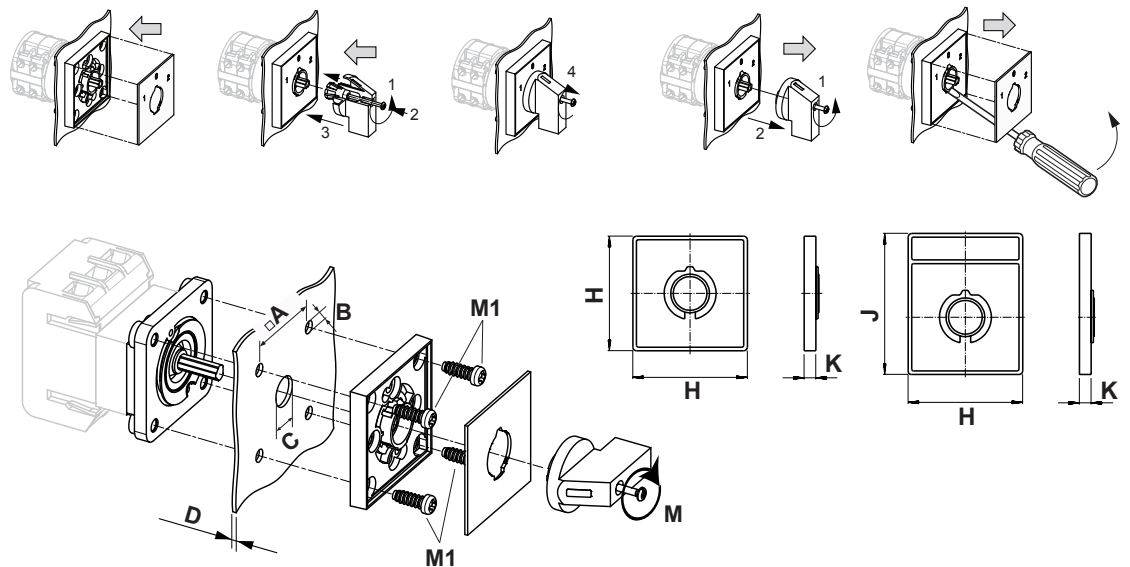
- Picture name** Description
- 
- WARNING: This product can expose you to chemicals including nickel and lead, which is known to the State of California to cause cancer. For more information go to www.P65Warnings.ca.gov.

Classification Contact: Rigid contact bridge

Classification Contact Mat: Silver

Classification Terminal: Screw terminal

Mounting-E



| | |
|--------------------------|--------------------|
| IP - Код лицевая сторона | IP66, IP67 |
| Stages | 1,00 - 12,00 |
| A | □ 48,00 mm |
| B | ∅ 5,00 mm |
| C | ∅ 10,00 - 15,00 mm |
| D | H ≤ 4,00 mm |
| H | H 64,00 mm |
| J | H 78,00 mm |
| K | H 7,40 mm |
| M | ↺ 0,70 Nm |
| M1 | ↺ 1,20 Nm |

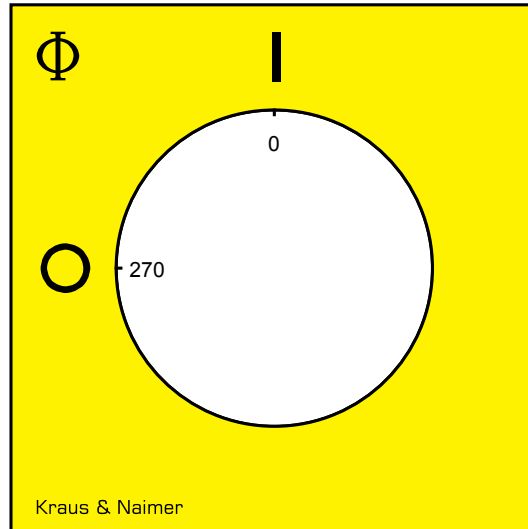
Wiring diagram

KG100.T304.E



Face plate

S1.F456/E10.V45H



PADLOCK DEVICE

Designation: S1.V845/E11/A12

Face plate and handle unit: "E" face plate/yellow, frame/black, handle/red, locking push rod/yellow

Locking position: "1" at 270°+90° - knockouts every 45°

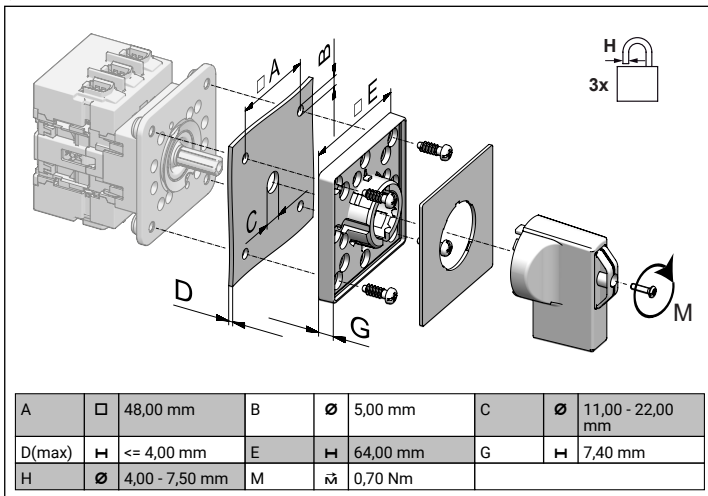
Angular displacement: "1" 1 x 90°

Type of mounting: "A" for type of mounting E

Type of mounting: "A" for type of mounting GK

Type of version: "1" for same switch size

Switch type: "2" for KA-, KG- and KH(R)-switches



PROTECTIVE COVER

for KA40-KA63BT, KG20-KG317, KH(R)32-KH(R)80 and KH85

Designation: K2.M160/4

Type of version: "4" cover for 4 pole switches

