



80×80×20 mm

San Ace 80

General Specifications

- Material Frame: Aluminum, Impeller: Plastic (Flammability: UL 94V-1)
- Expected life See the table below. (L10 life: 90% survival rate for continuous operation in free air at 60°C, rated voltage) Expected life at 40°C is for reference only.
- Motor structure Shaded coil motor
- Motor protection function Locked rotor burnout protection, Reverse polarity protection For details, please refer to p. 599.
- Dielectric strength 50/60 Hz, 1500 VAC, for 1 minute (between lead wire conductors and frame)
- Insulation resistance 10 MΩ or more with a 500 VDC megger
- Sound pressure level (SPL) At 1 m away from the air inlet
- Operating voltage range Voltage of each model ±10%
- Storage temperature -30 to +70°C (Non-condensing)
- Lead wire Black, 2 pcs
- Mass 180 g

Specifications

| Model no. | Rated voltage [V] | Frequency [Hz] | Input [W] | Current [A] | Locked rotor current [A] | Rated speed [min ⁻¹] | Max. airflow [m ³ /min] [CFM] | Max. static pressure [Pa] [inchH ₂ O] | SPL [dB (A)] | Operating temperature [°C] | Expected life [h] |
|----------------|-------------------|----------------|-----------|-------------|--------------------------|----------------------------------|--|--|--------------|----------------------------|-------------------------|
| 109-210 | 100 | 50/60 | 6/5 | 0.07/0.06 | 0.07/0.06 | 2500/3000 | 0.44/0.53 15.5/18.7 | 23.5/31.4 0.094/0.126 | 26/31 | -30 to +60 | 25000/60°C (56000/40°C) |
| 109-213 | 115 | | | 0.06/0.05 | 0.06/0.05 | | | | | | |

Note: These are Short Lead Time Service applicable models. Contact your point of sale for stock availability. For more information on the service, see p. 654.

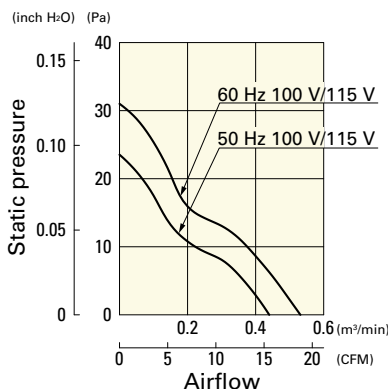
Set Models

Fan, finger guard, plug cord, screws, etc. can be purchased in one package. For details, please refer to p. 655.

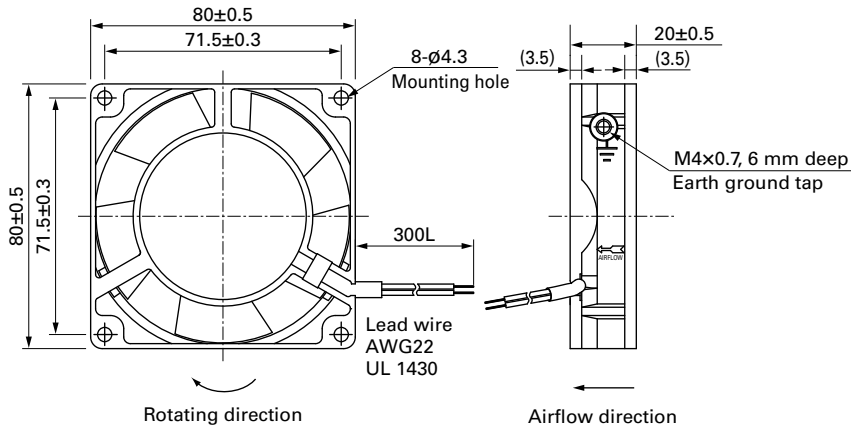
| Order no. | Set items | | | | | |
|--------------------|-----------|---------|------------------|--|---------------|---------------------|
| | Fan | Voltage | Low-speed sensor | Plug cord | Finger guards | Mounting screws |
| ST1-109-210 | 109-210 | 100 V | | Plug cord is not included because of the exposed-lead structure. | 109-049E | M4×40 mm (4 screws) |
| ST1-109-213 | 109-213 | 115 V | | | 109-049E | |

Airflow - Static Pressure Characteristics

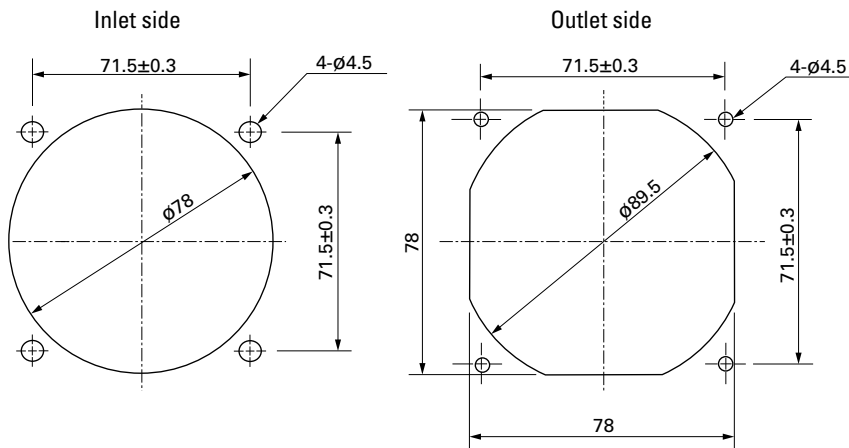
109-210, 109-213



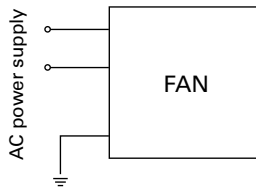
Dimensions (unit: mm)



Reference Dimensions of Mounting Holes and Vent Opening (unit: mm)



Wiring Diagram



Options

Finger guards

page: p. 584

Model no.: 109-049E, 109-049H, 109-049C

Resin finger guards

page: p. 591

Model no.: 109-1002G

Resin filter kits

page: p. 592

Model no.: 109-1002F13 (13PPI), 109-1002F20 (20PPI),
109-1002F30 (30PPI), 109-1002F40 (40PPI)