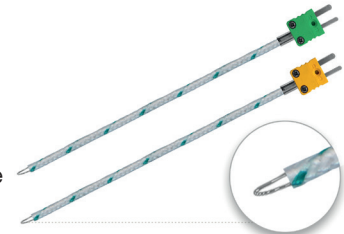


Thermocouple type K

Order nr.: 803910 1211

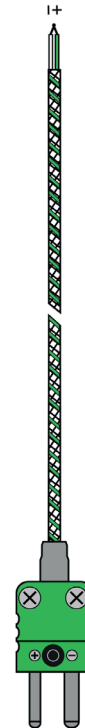
Thermocouples have a simple structure. The two thermocouple wires are welded at the tip and remain without a protection sleeve. Therefore, thermocouples are characterized by particularly fast response times and a wide range of applications. The thermocouples can be used in a temperature range from -40 °C to +350 °C. You will find thermocouples of type J (Fe-CuNi) and type K (NiCr-Ni), we will be pleased to offer you others on request.



General Information	
Measuring range	-40 °C to +350 °C
Perm. °C range cable	-50 °C to +350 °C
Accuracy	-40 °C to +375 °C: ±1,5 °C according to DIN IEC 60584 Class 1
Response time	t63 / t99: information is available on request
Pull-out force	≥ 30 N
Supply and output	
Measuring element	Thermocouple Type K
Measuring point	Welding point not insulated
Measurement signal	Thermovoltage
Ambient conditions	
Protection class	IP20 according DIN 60529
Humidity and moisture condensation resistance	according to application-specific qualification
Certificates and Standards	
Standards	DIN EN 61326-1:2013 DIN EN IEC 63000:2019-05
Directive	RoHS 2011/65/EU 2014/30/EU
Certificates	Certificate of suitability (on request)

Customizable options

- E - Material connection cable
- F - Length connection cable
- G - Connector

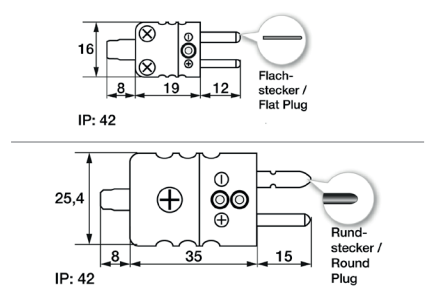


E - Cable material and configuration connection cable												
Code	Type	Color	IP	From (°C) ¹⁾	To (°C) ¹⁾	Outside material	Isol. Leads	Sheath (mm) ²⁾	Q (mm ²)	Color Leads	Ω / m ⁴⁾	
E8321	Thermocouple cable	Type K ³⁾	IP20	-50	+350	Glass fibre	Glass fibre	2,0 x 1,2	0,2	gn, wt	2,00	

Insulation resistance: ≥ 100 MOhm at min. 100 VDC | ¹⁾Perm. range °C | ²⁾Tolerance ± 0,2 mm | ³⁾Color according to IEC 584 | ⁴⁾per thermocouple

F - Length								
Code	F010	F020	F030	F040	F050	F100	F150	F200
m	1	2	3	4	5	10	15	20

Technical drawing - Connector

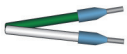
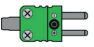
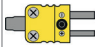




Your order code			
Order nr.	Material connection cable	Length connection cable	Connector
803910 1211	E_____	F_____	G_____

RL / KS / 17.03.2022

Would you like to contact us? Click [here...](#)

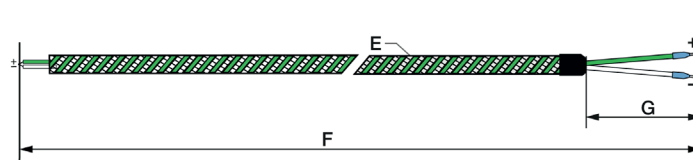


G - Connector					
Picture	Code	Feature	Bild	Code	Merkmal
	G01 ¹⁾	Insulated end ferrules (50 mm)			
	G12	Mini-TE-Stecker Typ K gn		G19	Mini-TC connector Type K ye
	G321}	TE-Stecker Typ K gn		G391}	TC connector Type K ye

1)auf Anfrage | Weitere Stecker auf Anfrage erhältlich

Technical drawing

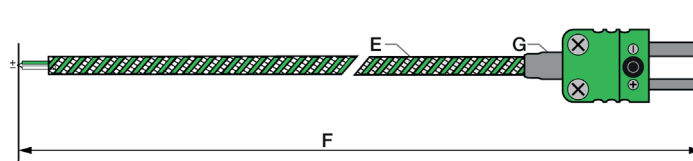
Version with insulated end ferrules



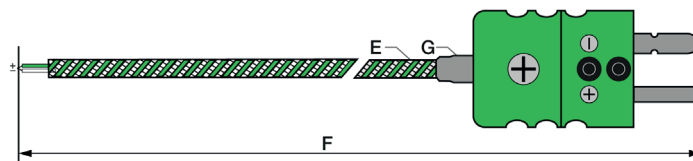
Konfigurierbare Optionen

- E - Material Anschlussleitung
 - F - Länge Anschlussleitung
 - G - Stecker
- All dimensions in mm

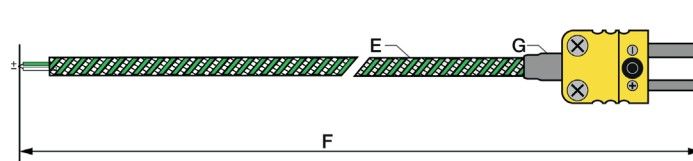
Variante mit Mini-TE-Stecker



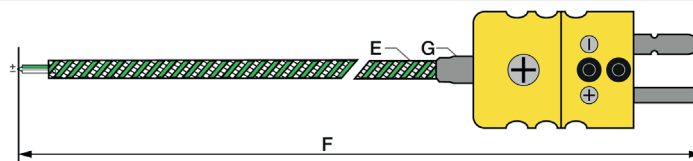
Variante mit TE-Stecker



Version with mini TE connector



Version with TE connector

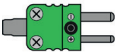
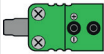
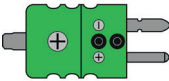
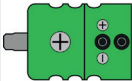
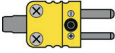
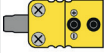
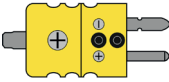
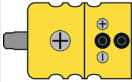


RL / KS / 17.03.2022



Matching accessories: Stecker

Details of accessories can be found on our website.

Connector					
Picture	Code	Feature	Picture	Code	Feature
	809140 2000	Mini-TC connector Type K gn		809100 2000	Mini-TC coupling Type K gn
	809150 2000	TC connector Type K gn		809110 2000	TC coupling Type K gn
	809140 2001	Mini-TC connector Type K ye		809100 2001	Mini-TC coupling Type K ye
	809150 2001	TC connector Type K ye		809110 2001	TC coupling Type K ye

1)on request | Other connectors available on request

