

# Push Button Switch

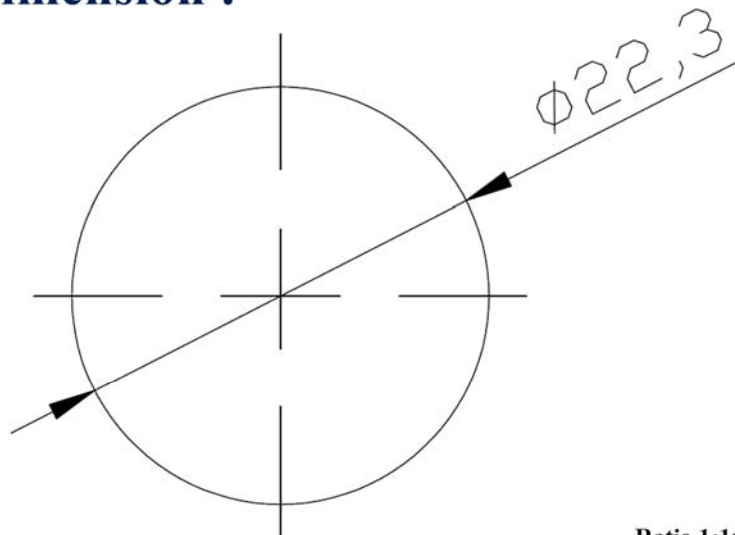
22 mm. Serie



## Specification :

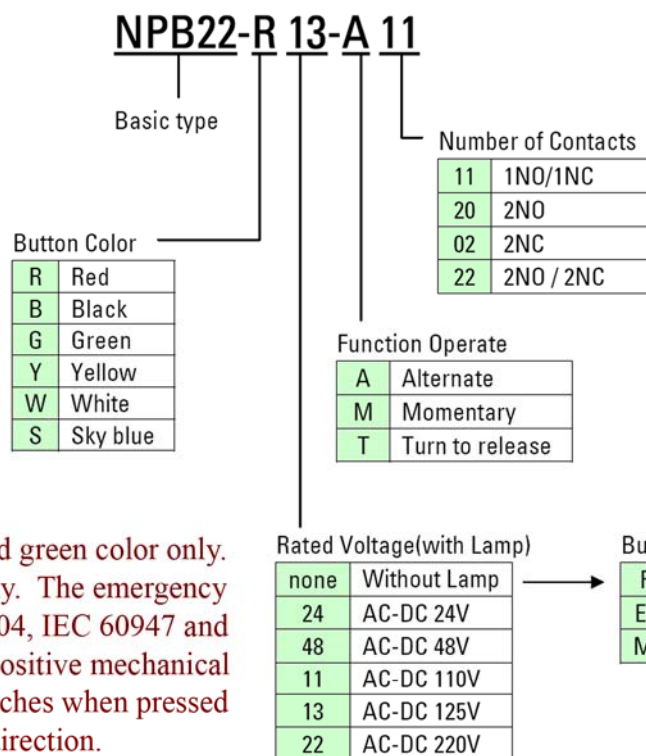
Insulation withstand voltage	10M $\Omega$ at DC 500V AC 1,500V/min.
Mechanical life time	3 x 10 <sup>6</sup>
Electrical life time	12 x 10 <sup>5</sup>
Ambient temperature	-5°C ~ 50°C
Storage temperature	-20°C ~ 70°C
Ambient humidity	45 ~ 85%
Cut out	22mm.

## Cut Out Dimension :



Ratio 1:1mm.

## Product Coding :



**\*Note :**

Mushroom head push button has red and green color only. Emergency push button has red color only. The emergency stop push button comply with IEC 60204, IEC 60947 and IEC 60073. They are designed with a positive mechanical movement sequence. The push button latches when pressed and is reset by turning it in a clockwise direction.